

StrapPack[®]

NEW Semi-Automatic Strapping Machine



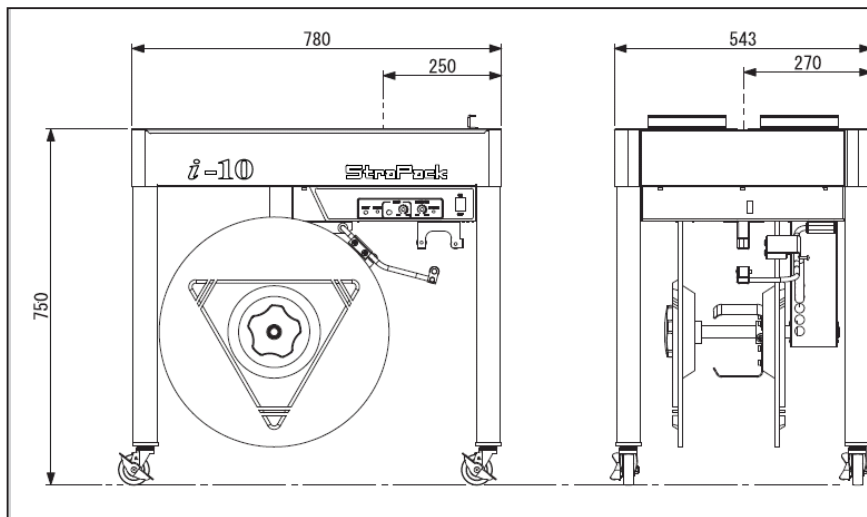
i-10

i-10



NEW Semi-Automatic Strapping Machine

- The i-10 is amazingly quiet to operate and well suited for office use.
- The i-10 runs strap from 5 millimeters to 15.5 millimeters (5/8 inches) without additional parts.
- Seal time extension (maximum one-half second) is equipped for use of heavy strap.
- The machine is ready to operate in only 45 seconds.
- The i-10 has hardly any moving parts, which makes it easy to maintain and keeps the operation cost low.
- Stabilized tensioning, controlled electronically with a microprocessor, can easily be adjusted from 2 kilogram-force (4.4 pounds) to 40 kilogram-force (88 pounds) with a single dial.



■ Standard Specifications

Dimension	Width	780 mm	30-3/4 in.
	Height	775 mm(with work guide)	30-1/2 in.(with work guide)
	Depth	543 mm	21-3/8 in.
	Weight	45 kg.	100 lbs.
Table Height		750 mm	29-1/2 in.
Min. Package Size		W 100 X H 30 mm	W 3-7/8 X H 1-1/8 in.
Joint / Strap/ Coil		heat seal / polypropylene ID 200 or 230 X W 200 mm	heat seal / polypropylene 8 X 8 or 9 X 8 in.
Strap Width / Thickness		5, 6,9,12 (15.5) mm /0.45-0.7mm	1/4,3/8,1/2 (5/8) in./ 0.017-0.027 in.
Strap Tension		Max. 392 N (40 kgf)	Max. 88 lbsf.
Power Supply		100-120, 200-240 V	1 Phase 50 / 60 Hz 0.25 KVA

Dimensions and specifications are subject to change without notice.

Modification rights reserved.

Pats., U.M. & design registered and/or pending.

© 2010 Strapack Corporation

DISTRIBUTED BY:

STRAPACK CORPORATION

7-16-14, Ginza, Chuo-ku Tokyo 104-0061, JAPAN
Phone 81-3-6278-1805 Fax. 81-3-6278-1806
(URL) <http://www.strapack.com> (E-mail) info@strapack.com

STRAPACK INC.

30860 San Clemente St. Hayward, CA 94544 U.S.A.
Phone 1-510-475-6000 Fax. 1-510-475-6090

STRAPACK, N.V./S.A.

Uilenbaan 200, 2160 Wommelgen, BELGIUM
Phone 32-3-355-1520 Fax. 32-3-355-1521